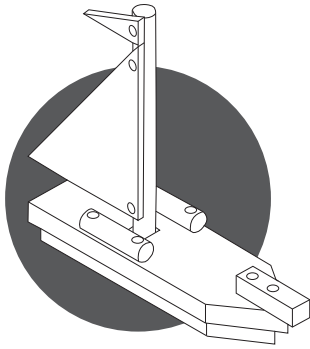


Sail Boat: Page 1 of 2

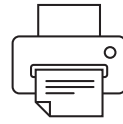


Important Information:

To ensure you have enough foam, arrange the stencils on the foam sheet as shown below. Any extra foam can be used for other projects.

No stencils for shapes cut from rod and dowel foam pieces.

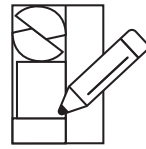
Stencil is actual size



1. PRINT



2. CUT

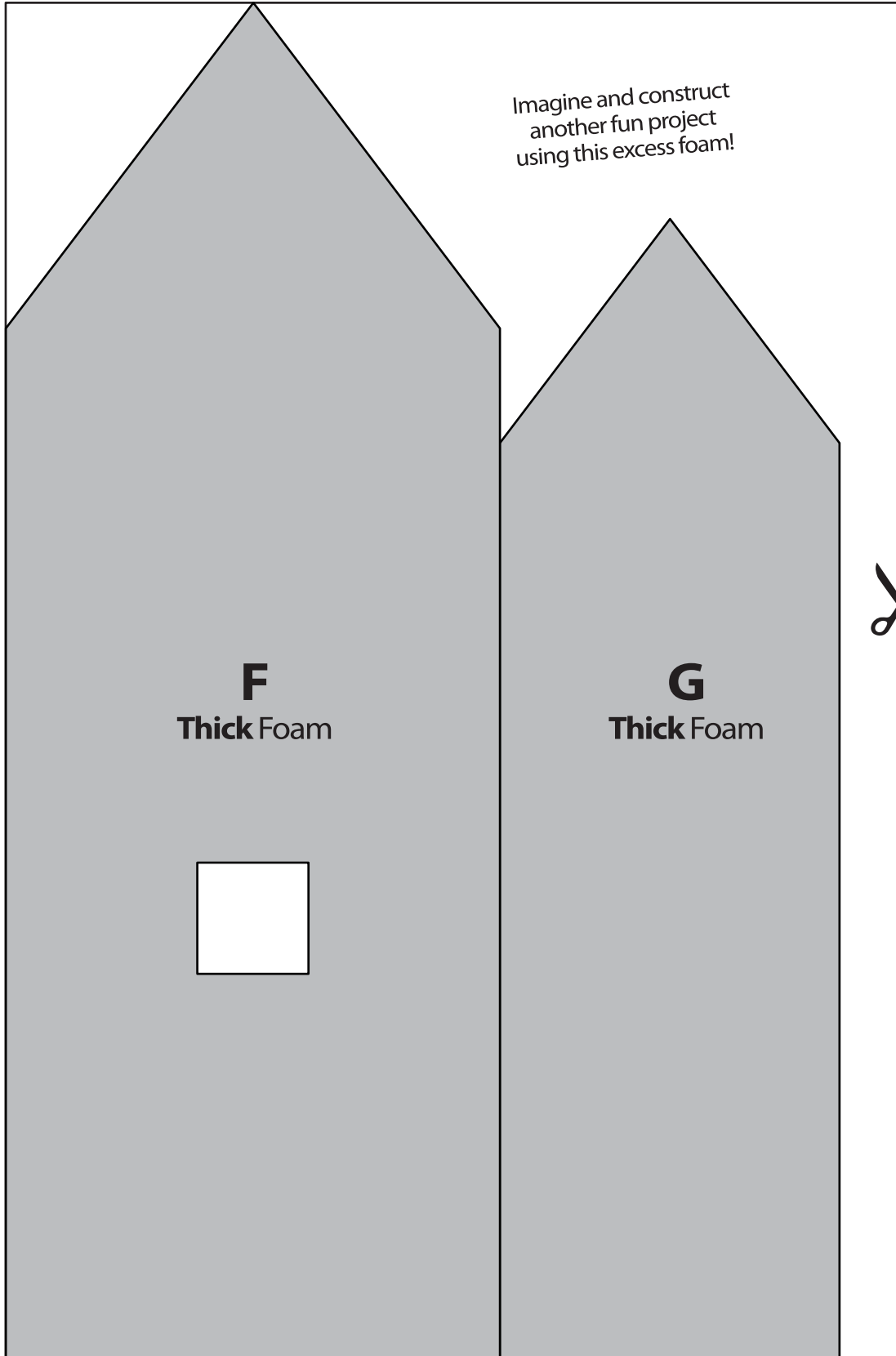


3. TRACE

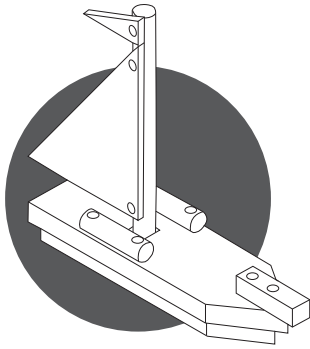


4. SAW

1. Print stencil pages out on A4 paper (do not scale).
2. Cut along the stencil lines using scissors (scissors not included).
3. Trace around these stencils on the foam piece.
4. Cut the foam shapes out using the safe saw.



Sali Boat: Page 2 of 2



Important Information:

To ensure you have enough foam, arrange the stencils on the foam sheet as shown below. Any extra foam can be used for other projects.

No stencils for shapes cut from rod and dowel foam pieces.

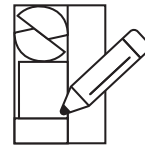
Stencil is actual size



1. PRINT



2. CUT



3. TRACE



4. SAW

1. Print stencil pages out on A4 paper (do not scale).
2. Cut along the stencil lines using scissors (scissors not included).
3. Trace around these stencils on the foam piece.
4. Cut the foam shapes out using the safe saw.

Imagine and construct
another fun project
using this excess foam!



A
Thin
Foam

B
Thin
Foam